

# Hydrogen Sulfide Gas Sensor

Product Data Sheet  
Model #SS2198\_HT

2023. Ver 1.0

## Applications

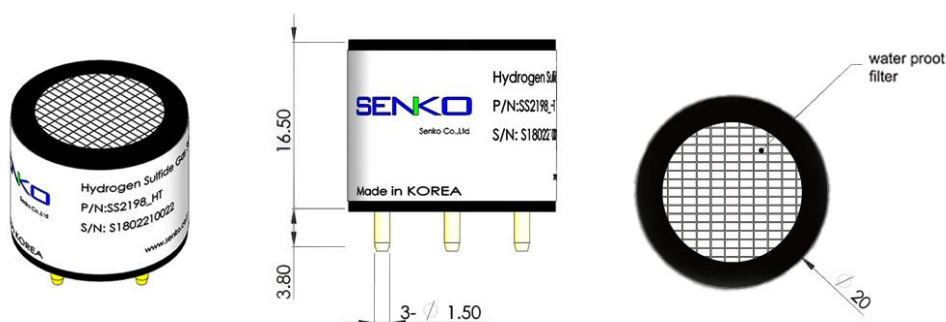
- Ideal for fixed instrument at high temperature and low humidity conditions
- Industry safety (Petrochemical, Refineries)
- Sewers, Wastewater treatment
- Mining
- Etc.



## Specifications

| Performance Characteristics        |                                     |
|------------------------------------|-------------------------------------|
| Output Signal                      | 450±80 nA / ppm                     |
| Typical Baseline Range (pure air)  | ±2 ppm H <sub>2</sub> S equivalent  |
| T90 Response Time                  | <30 seconds                         |
| Measurement Range                  | 0-100 ppm                           |
| Maximum Overload                   | 500 ppm                             |
| Linearity                          | Linear                              |
| Repeatability                      | <±2 ppm H <sub>2</sub> S equivalent |
| Recommended Load Resistor          | 10 ohms                             |
| Resolution (Electronics Dependent) | <0.1 ppm typical                    |
| Environmental                      |                                     |
| Temperature Range Continuous       | -20°C to +70°C                      |
| Pressure Range                     | 800 to 1200 mbar                    |
| Operating Humidity Range           | 15% to 90% Rh                       |
| Life Time                          |                                     |
| Long Term Output Drift             | <5% per annum                       |
| Recommended Storage Temp           | 0°C to 20°C                         |
| Expected Operating Life            | >24 months in air                   |
| Standard Warranty                  | 24 months from date of dispatch     |
| Intrinsic Safety Data              |                                     |
| Maximum at 1,000ppm                | 40mA                                |
| Maximum o/c Voltage                | <1.0V                               |
| Maximum s/c Current                | <0.1A                               |

## Dimension



Due to ongoing research and product improvement, specifications are subject to change without notice

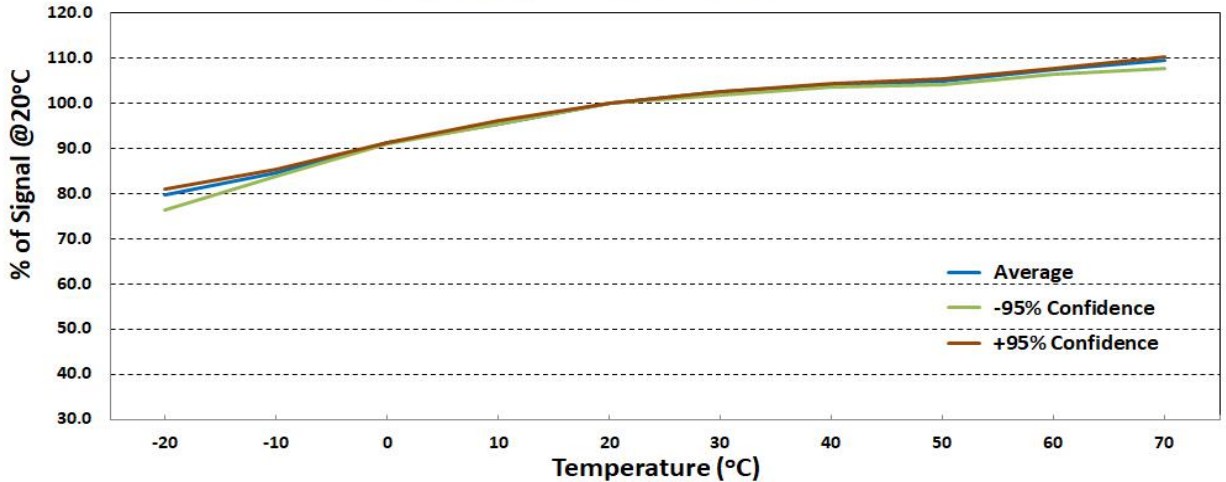
# Hydrogen Sulfide Gas Sensor

Product Data Sheet  
Model #SS2198\_HT

2023. Ver 1.0

## Temperature effects

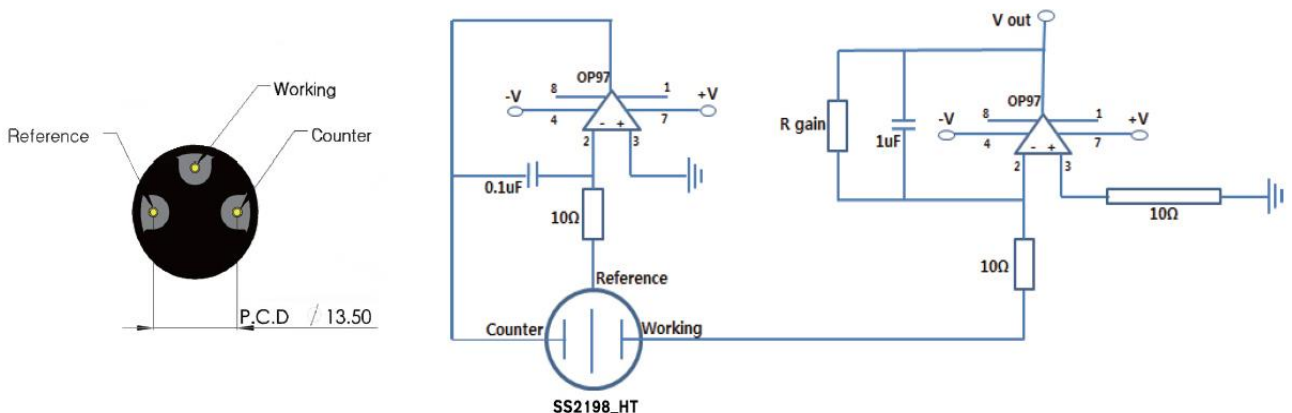
Output Temperature Coefficient Data



## Cross sensitivity

| Gas              | Concentration [ppm] | Reading [ppm] |
|------------------|---------------------|---------------|
| Carbon Monoxide  | 300                 | 0             |
| Hydrogen         | 10,000              | 0             |
| Sulfur Dioxide   | 5                   | <12           |
| Nitric Oxide     | 35                  | 0             |
| Nitrogen Dioxide | 5                   | <-5           |

## Standard operating circuit



Due to ongoing research and product improvement, specifications are subject to change without notice