

Chlorine Gas Sensor

Product Data Sheet
Model #SS2168

2023. Ver 1.0

Applications

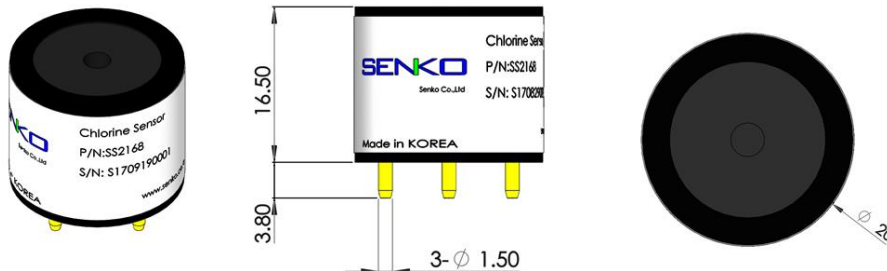
- Ideal for portable and fix instrument
- Industry safety (ambient air monitoring applications)
- Etc.



Specifications

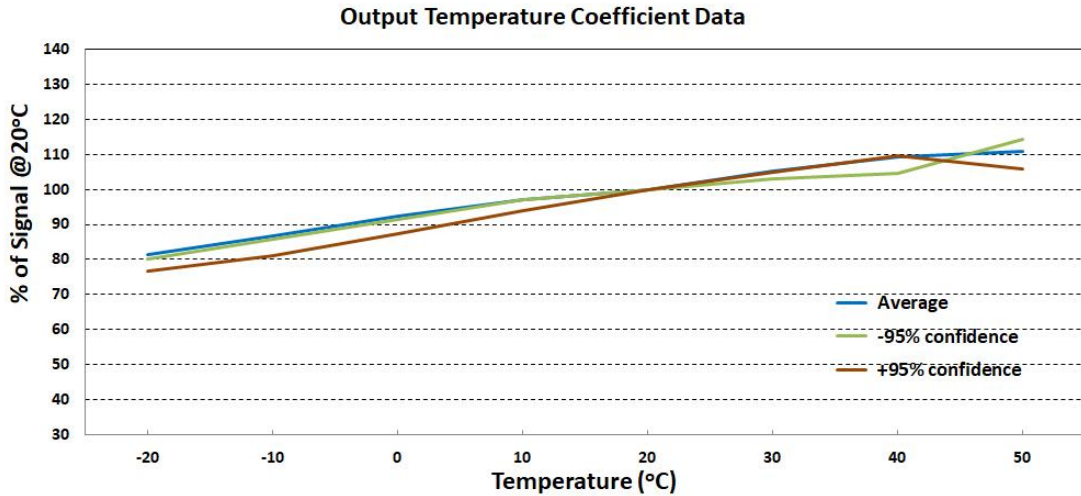
Performance Characteristics	
Output Signal	- 700±250 nA / ppm
Typical Baseline Range (pure air)	±2 ppm Cl ₂ equivalent
T90 Response Time	<30 seconds
Measurement Range	0-20 ppm
Maximum Overload	50 ppm
Linearity	Linear
Repeatability	2%
Recommended Load Resistor	10 ohms
Resolution (Electronics Dependent)	< 0.1 ppm typical
Environmental	
Temperature Range Continuous	-20°C to +50°C
Pressure Range	800 to 1200 mbar
Operating Humidity Range	15% to 90% Rh
Life Time	
Long Term Output Drift	<10% per annum
Recommended Storage Temp	0°C to 20°C
Expected Operating Life	>24 months in air
Standard Warranty	24 months from date of dispatch
Intrinsic Safety Data	
Maximum at 20ppm	40mA
Maximum o/c Voltage	<1.0V
Maximum s/c Current	<0.1A

Dimension



Due to ongoing research and product improvement, specifications are subject to change without notice

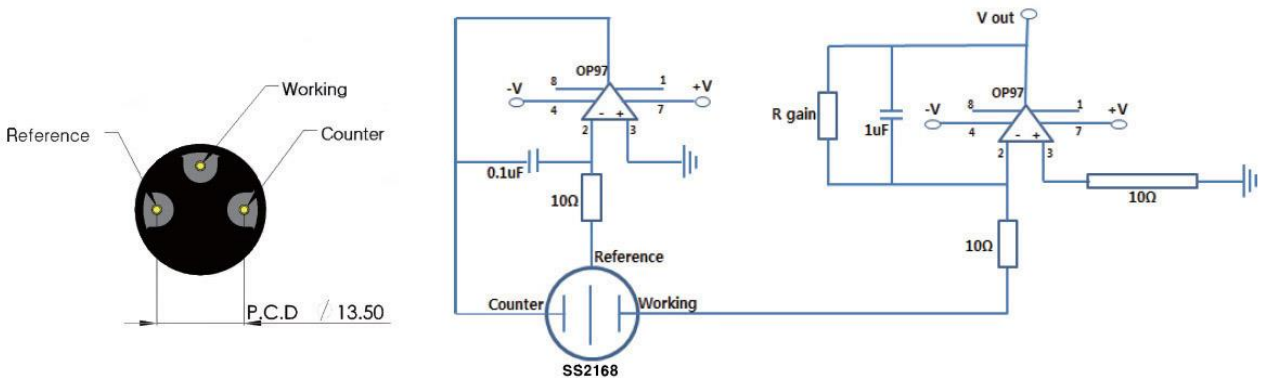
Temperature effects



Cross sensitivity

Gas	Concentration [ppm]	Reading [ppm]
Carbon Monoxide	100	0
Hydrogen	500	0
Hydrogen Sulfide	50	0
Sulfur Dioxide	10	0
Nitric oxide	200	0
Nitrogen Dioxide	50	<20

Standard operating circuit



Due to ongoing research and product improvement, specifications are subject to change without notice