

## Applications

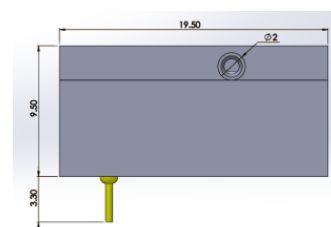
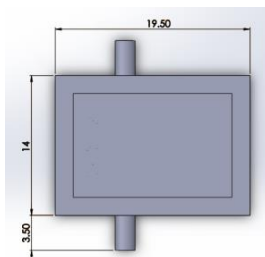
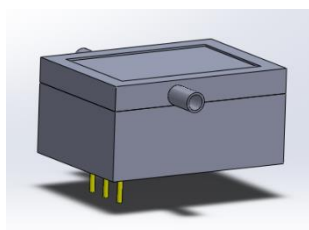
- Ideal for portable instrument
- Alcohol detector applications
- Etc.



## Specifications

Performance Characteristics	
Output Signal	Depends on sample volume
Measurement Range	0~0.4% BAC
Maximum Overload	0.6% BAC
Response Time (Clear to 5% of peak)	~ 10 seconds
Linearity	Linear
Repeatability	≤ ±3%
Recommended Load Resistor	10 ohms
Resolution (Electronics Dependent)	≤ 0.001% BAC
Environmental	
Temperature Range Continuous	-20°C to +50°C
Operating Humidity Range	15% to 90% Rh
Life Time	
Long Term Output Drift	≤ 5% per annum
Recommended Storage Temp	0°C to 20°C
Expected Operating Life	≥ 24 months in air
Standard Warranty	24 months from date of dispatch

## Dimension

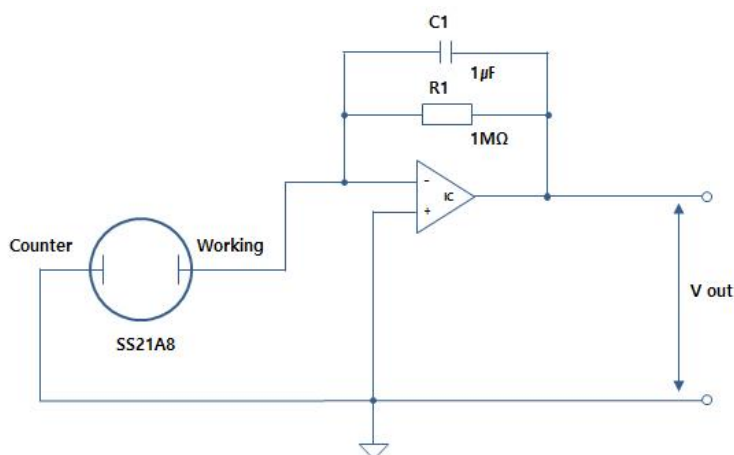
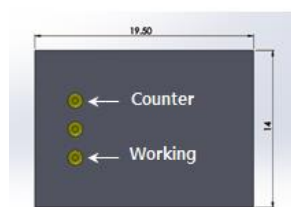


Due to ongoing research and product improvement, specifications are subject to change without notice

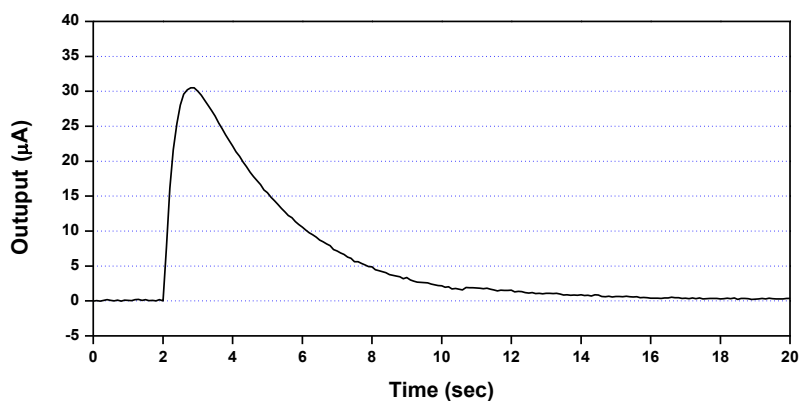
## Cross-sensitivity

Gas	Concentration [ppm]	Reading [ppm]
Ethanol	200	200
Ammonia	200	0
Hydrogen Sulfide	100	0
Acetaldehyde	200	<30
Toluene	200	<25
Carbon monoxide	500	0

## Standard operating circuit



## Typical Output



Due to ongoing research and product improvement, specifications are subject to change without notice